



HIGH-POWER INDUCTION WOK



PERFORMANCE

The CookTek® High-Power Induction Wok boasts a portable countertop design with stainless steel housing and a recessed glass-ceramic wok bowl intended for commercial kitchens and restaurants. An automatic shut-off feature, integral cooling fan, and self-diagnosing microprocessor allow for a safe kitchen environment. Each unit is equipped with a built-in timer and 20 precise power settings to ensure maximum and efficient heating of any induction compatible wok pan.*

Project _____

Item No. _____

Quantity _____

FEATURES

- Model available in 5000 watts
- Portable design with stainless steel housing
- High-quality internal electronics and heavy gauge Litz wire
- Easy-to-clean high temperature glass-ceramic wok bowl
- Automatic pan detection allows for instant energy transmission to pan
- LED display for precise user feedback
- Programmed with 20 power cook settings
- Automatic shut-off feature prohibits overheating
- Integral grease filter and air baffle ensure air intake is cleaner and cooler
- Sloped front panel allows for easy viewing and operation
- Microprocessor monitors vital components to check for overheating, power supply issues, and more
- Integral fan keeps internal components cool
- Available in 200-240 VAC, 3-phase
- Two-year advanced replacement warranty – U.S. and Canada

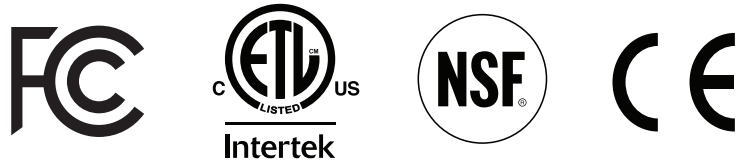
ACCESSORIES (NOT INCLUDED)

- 14" (356 mm) Stainless Steel Wok (Part #CT-103871)
- Wok Replacement Handle (Part #CT-102881)



103871

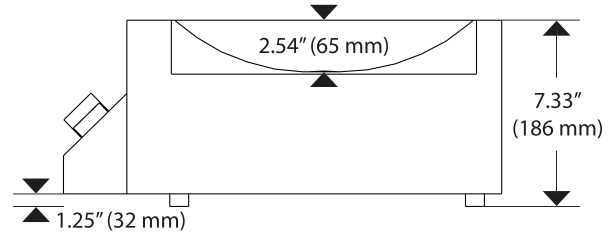
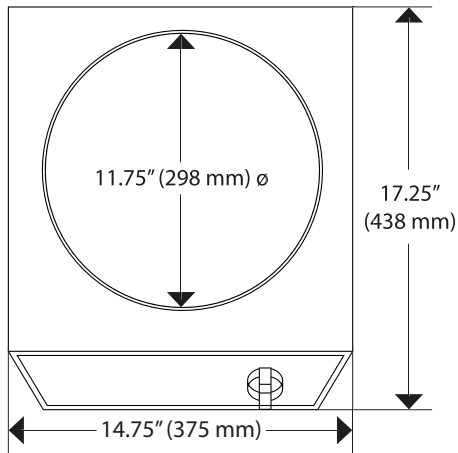
CERTIFICATIONS



*Induction cooking requires the use of induction compatible (i.e. magnetic) cookware.

It is the owner and installer's responsibility to comply with all local codes. CookTek reserves the right to make substitutions of components or change specifications without prior notice.

HIGH-POWER INDUCTION WOK



DIMENSIONS			
Full Unit Height	7.33"	186 mm	
Housing Height	6.09"	155 mm	
Full Unit Width	14.75"	375 mm	
Full Unit Depth	17.25"	438 mm	
Bowl Width	11.75" \varnothing	298 mm \varnothing	
Bowl Vertical Depth	2.54"	65 mm	
Feet Height	1.25"	32 mm	
Weight	22 lb.	9.98 kg	
Max Ambient Temperature	122°F	50°C	
WALL CLEARANCE*			
Front	2"	51 mm	
Sides	2"	51 mm	
Rear	2"	51 mm	
SHIPPING INFORMATION			
Packaged Height	13"	330 mm	
Packaged Width	23"	584 mm	
Packaged Depth	24"	610 mm	
Packaged Weight	27 lb.	12.2 kg	
ELECTRICAL SPECIFICATIONS (3-PHASE)			
MODEL MWG5000-200			
UNITED STATES / CANADA	647101	200-240 V, 50/60 Hz, 15 A, 100-5000 W	NEMA 6-30P
UK	647102	200-240 V, 50/60 Hz, 15 A, 100-5000 W	IEC 309, 32A, 3-pin
INTERNATIONAL	647103	200-240 V, 50/60 Hz, 15 A, 100-5000 W	IEC 309, 32A, 5-pin
AUSTRALIA	647104	200-240 V, 50/60 Hz, 15 A, 100-5000 W	56PA332, 32A, 250V
ISRAEL	647108	200-240 V, 50/60 Hz, 15 A, 100-5000 W	IEC 309, 32A, 5-pin
SAUDI ARABIA	647110	200-240 V, 50/60 Hz, 15 A, 100-5000 W	IEC 309, 32A, 3-pin



NEMA 6-30P



IEC 309, 32A, 5-pin



IEC 309, 32A, 3-pin



56PA332, 32A, 250V

Dedicated circuit required for each installation

Global Operations
 2801 Trade Center Drive / Carrollton, Texas 75007 USA
 US: 800.90TURBO (800.908.8726) / International: +1 214.379.6000
 Fax: +1 214.379.6073 / www.cooktek.com