



Project _____

Item No. _____

Quantity _____

DROP-IN SOUP WARMER



FEATURES

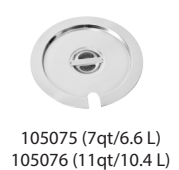
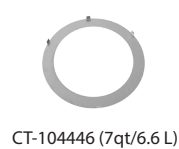
- Models available in 1,000 watts
- Drop-in design with aluminum housing and a high-impact, easy-to-clean polycarbonate interior surface
- Fits standard 7qt (6.6 L)* or 11qt (10.4 L) soup tureens
- Four standard set temperatures with an option to add up to 15 temperature settings
- LED display for user feedback
- Automatic pan detection allows for instant energy transmission to pan
- Re-therm setting delivers continuous maximum power until desired temperature is reached
- Boil indicator notifies operators when the water boils out
- Lock feature prevents unwanted setting changes
- Microprocessor monitors vital components to check for overheating, power supply issues, and more
- Standard Cat 5e or Cat 6 patch cable from unit to control box included
- Available in 100–120 VAC or 200–240 VAC, single phase
- Two-year field-service warranty – U.S. and Canada

PERFORMANCE

The CookTek® Soup Warmer features a round drop-in design with aluminum housing and a polycarbonate interior surface. Each unit is programmed with four standard temperature settings with the option to add up to 15 temperature settings, and a Re-therm mode designed to bring soup from a chilled state (below 35°F/1.7°C) through the HACCP danger zone to 165°F/73.9°C in under 90 minutes. The Soup Warmer should be used with an induction-compatible Bain-Marie kit consisting of a water bath, a soup tureen, and a lid (available as accessories).

ACCESSORIES (NOT INCLUDED)

- 7qt (6.6 L) Bain-Marie Kit (Part # CTS-3014) – includes water bath, 7 qt. soup tureen, and lid*
- 7qt (6.6 L) Soup Tureen Adapter Ring* (Part # CT-104446)
- 7qt (6.6 L) Soup Tureen* (Part # 105073)
- 7qt (6.6 L) Lid (Part # 105075)
- 11qt (10.4 L) Bain-Marie Kit (Part # CTS-3015) – includes 11 qt water bath, soup tureen, and lid
- 11qt (10.4 L) Soup Tureen (Part # 105074)
- 11qt (10.4 L) Lid (Part # 105076)

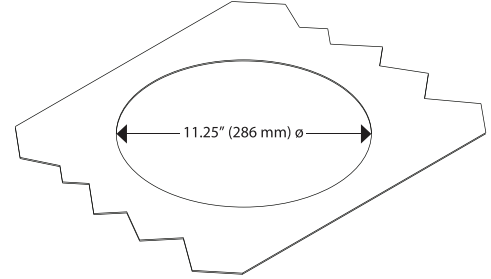
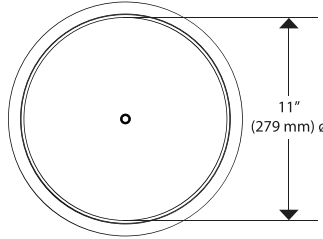
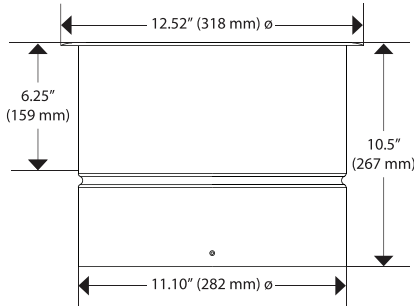


CERTIFICATIONS



*The 7 qt soup tureen and 7 qt bain-marie kit require the adapter ring (CT-104446) for use.

It is the owner and installer's responsibility to comply with all local codes. CookTek reserves the right to make substitutions of components or change specifications without prior notice.



DIMENSIONS		
Full Unit Height	10.5"	267 mm
Internal (Usable) Height	6.25"	159 mm
Full Unit Circumference	12.52" ø	318 mm ø
Housing Circumference	11.10" ø	282 mm ø
Cutout Circumference	11.25" ø	286 mm ø
Weight	11.75 lb.	5.3 kg
CLEARANCE		
Front	2"	51 mm
Sides	2"	51 mm
Rear	2"	51 mm
Below*	6"	152 mm
SHIPPING INFORMATION		
Packaged Height	20"	508 mm
Packaged Width	15"	381 mm
Packaged Depth	22"	559 mm
Packaged Weight	16 lb.	7.2 kg
Item Class	250 NMFC #26710	

* Adequate cabinet ventilation should be provided for all drop-in models to prevent overheating of unit.

ELECTRICAL SPECIFICATIONS (SINGLE PHASE)			
MODEL ISW061			
UNITED STATES/ CANADA	959801	100–120 V, 50/60 Hz, 8.5 A, 100–1,000 W	NEMA 5-15P
MODEL ISW062			
UNITED STATES/ CANADA	659901	200–240 V, 50/60 Hz, 5 A, 100–1,000 W	NEMA 6-20P
UK	659902	200–240 V, 50/60 Hz, 5 A, 100–1,000 W	BS1363, 13A, 230V
INTERNATIONAL	659903	200–240 V, 50/60 Hz, 5 A, 100–1,000 W	CEE 7/7 Schuko, 16A, 250V
AUSTRALIA	659904	200–240 V, 50/60 Hz, 5 A, 100–1,000 W	AS/NZS 3112:2000, 10A, 250V
SOUTH AFRICA	659907	200–240 V, 50/60 Hz, 5 A, 100–1,000 W	BS 546, 16A, 250V
ISRAEL	659908	200–240 V, 50/60 Hz, 5 A, 100–1,000 W	SI 32, 16A, 250V
SAUDI ARABIA	659910	200–240 V, 50/60 Hz, 5 A, 100–1,000 W	BS1363, 13A, 230V

Dedicated circuit required for each installation.



NEMA 5-15P



AS/NZS 3112:2000,
10A, 250V



NEMA 6-20P



BS 546, 16A, 250V



BS1363, 13A, 230V



SI 32, 16A, 250V



CEE 7/7 Schuko,
16A, 250V

Global Operations

2801 Trade Center Drive / Carrollton, Texas 75007 USA
 US: 800.90TURBO (800.908.8726) / International: +1 214.379.6000
 Fax: +1 214.379.6073 / www.cooktek.com