



INDUCTION WOK with Standard Controls



Project _____

Item No. _____

Quantity _____

FEATURES

- Models available in 1800 (U.S. only), 2500, 3000, 3500 watts
- Portable design with stainless steel housing
- High-quality internal electronics and heavy gauge Litz wire
- Easy-to-clean high temperature glass-ceramic wok bowl
- Automatic pan detection allows for instant energy transmission to pan
- LED display for precise user feedback
- Programmed with 20 power cook settings
- Automatic shut-off feature prohibits overheating
- Integral grease filter and air baffle ensure air intake is cleaner and cooler
- Sloped front panel allows for easy viewing and operation
- Microprocessor monitors vital components to check for overheating, power supply issues, and more
- Integral fan keeps internal components cool
- Available in 100-120 VAC or 200-240 VAC, single phase
- Includes plug and cord (6 ft. nominal)
- Two-year advanced replacement warranty – U.S. and Canada

PERFORMANCE

The CookTek® Induction Wok with Standard Controls boasts a portable countertop design with stainless steel housing and a recessed glass-ceramic wok bowl intended for commercial kitchens and restaurants. An automatic shut-off feature, integral cooling fan, and self-diagnosing microprocessor allow for a safe kitchen environment. Each unit is equipped with a built-in timer and 20 precise power settings to ensure maximum and efficient heating of any induction compatible wok pan.*

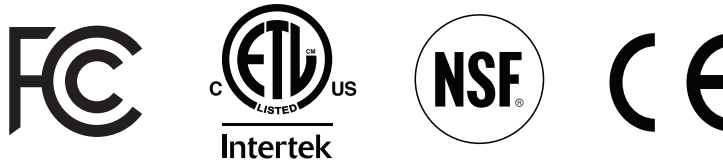
ACCESSORIES (NOT INCLUDED)

- 14" (356 mm) Stainless Steel Wok (Part # CT-103871)
- Wok Replacement Handle (Part # CT-102881)



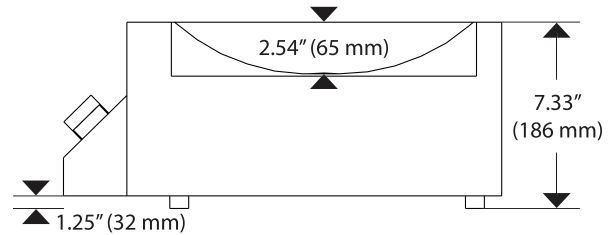
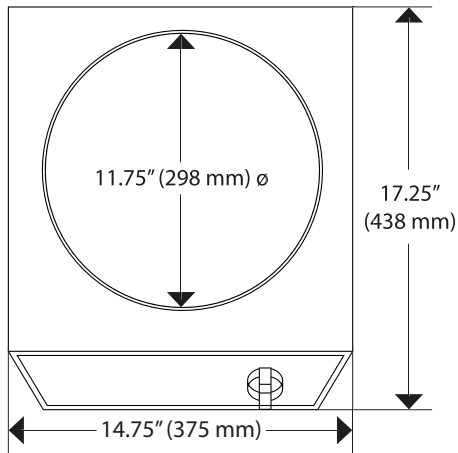
CT-103871

CERTIFICATIONS



*Induction cooking requires the use of induction compatible (i.e. magnetic) cookware.

It is the owner and installer's responsibility to comply with all local codes. CookTek reserves the right to make substitutions of components or change specifications without prior notice.



DIMENSIONS		
Full Unit Height	7.33"	186 mm
Housing Height	6.09"	155 mm
Full Unit Width	14.75"	375 mm
Full Unit Depth	17.25"	438 mm
Bowl Width	11.75" \varnothing	298 mm \varnothing
Bowl Vertical Depth	2.54"	65 mm
Feet Height	1.25"	32 mm
Weight	22 lb.	9.98 kg
Max Ambient Temperature	122°F	50°C
WALL CLEARANCE		
Front	2"	51 mm
Sides	2"	51 mm
Rear	2"	51 mm
SHIPPING INFORMATION		
Packaged Height	13"	330 mm
Packaged Width	23"	584 mm
Packaged Depth	24"	610 mm
Packaged Weight	27 lb.	12.2 kg
Item Class	250 NMFC #26710	

ELECTRICAL SPECIFICATIONS (SINGLE PHASE)			
UNITED STATES/CANADA			
MWG1800	605701	100-120 V, 50/60 Hz, 15 A, 100-1800 W	NEMA 5-15P
MWG2500	605801	200-240 V, 50/60 Hz, 12 A, 100-2500 W	NEMA 6-20P
MWG3000	605901	200-240 V, 50/60 Hz, 14 A, 100-3000 W	NEMA 6-20P
MWG3500	606001	200-240 V, 50/60 Hz, 15 A, 100-3500 W	NEMA 6-20P
UK AND SAUDI ARABIA			
MWG2500	605802	200-240 V, 50/60 Hz, 12 A, 100-2500 W	BS1363
MWG3000	605902	200-240 V, 50/60 Hz, 14 A, 100-3000 W	BS1363
MWG3500	606002	200-240 V, 50/60 Hz, 15 A, 100-3500 W	IEC 309, 16A, 3-pin
INTERNATIONAL			
MWG2500	605803	200-240 V, 50/60 Hz, 12 A, 100-2500 W	CEE 7/7 Schuko
MWG3000	605903	200-240 V, 50/60 Hz, 14 A, 100-3000 W	CEE 7/7 Schuko
MWG3500	606002	200-240 V, 50/60 Hz, 15 A, 100-3500 W	CEE 7/7 Schuko
AUSTRALIA			
MWG2500	605804	200-240 V, 50/60 Hz, 12 A, 100-2500 W	AS/NZS 3112:2000, 10A, 250V
MWG3000	605904	200-240 V, 50/60 Hz, 14 A, 100-3000 W	AS/NZS 3112:2000, 15A, 250V
MWG3500	606004	200-240 V, 50/60 Hz, 15 A, 100-3500 W	AS/NZS 3112:2000, 15A, 250V
SOUTH AFRICA			
MWG2500	605807	200-240 V, 50/60 Hz, 12 A, 100-2500 W	BS 546, 16A, 250V
MWG3000	605907	200-240 V, 50/60 Hz, 14 A, 100-3000 W	BS 546, 16A, 250V
MWG3500	606007	200-240 V, 50/60 Hz, 15 A, 100-3500 W	BS 546, 16A, 250V
ISRAEL			
MWG2500	605808	200-240 V, 50/60 Hz, 12 A, 100-2500 W	SI 32, 16A, 250V
MWG3000	605908	200-240 V, 50/60 Hz, 14 A, 100-3000 W	SI 32, 16A, 250V
MWG3500	606008	200-240 V, 50/60 Hz, 15 A, 100-3500 W	SI 32, 16A, 250V



NEMA 5-15P



AS/NZS 3112:2000, 10A, 250V



NEMA 6-20P



AS/NZS 3112:2000, 15A, 250V



BS1363



BS 546, 16A, 250V



IEC 309, 16A, 3-pin



CEE 7/7 Schuko



SI 32, 16A, 250V

Dedicated circuit required for each installation

Global Operations
 2801 Trade Center Drive / Carrollton, Texas 75007 USA
 US: 800.90TURBO (800.908.8726) / International: +1 214.379.6000
 Fax: +1 214.379.6073 / www.cooktek.com