



Project _____
Item No. _____
Quantity _____

DROP-IN DOUBLE BURNER (HOB) COOKTOP

Front-to-Back with Standard Controls



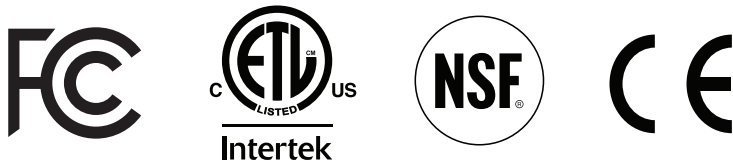
FEATURES

- Models available in 5,000 (2,500/burner); 6,000 (3,000/burner); 7,000 (3,500/burner) watts
- Drop-in design with stainless steel and aluminum housing
- Easy-to-clean high-temperature glass-ceramic top
- High-quality internal electronics and heavy gauge Litz wire
- Individual controls for each burner (hob) for independent operation and functionality
- LED display
- Automatic pan detection allows for instant energy transmission to pan
- Even heat distribution across bottom of cookware
- Automatic shut-off feature prohibits overheating
- Programmed with 22 temperature settings and 20 power cook settings
- Temperature range from 85°F–500°F (29°C–260°C)
- Microprocessor monitors vital components to check for overheating, power supply issues, and more
- Integral fan keeps internal components cool
- Standard Cat 5e or Cat 6 patch cable from unit to control box included
- Includes plug and cord (6 ft. nominal)
- Available in 200–240 VAC, single phase
- Two-year advanced replacement warranty – U.S. and Canada

PERFORMANCE

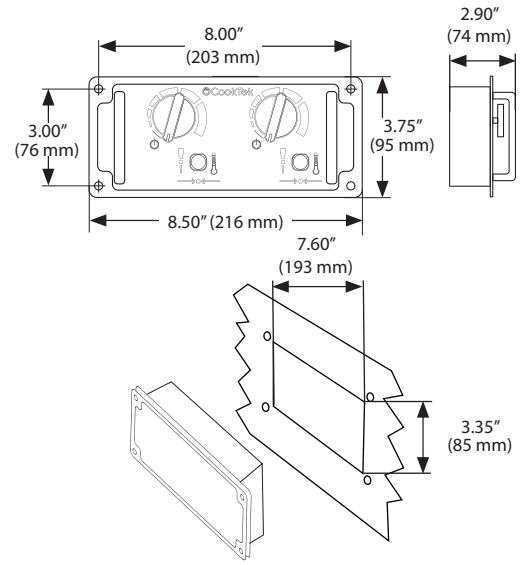
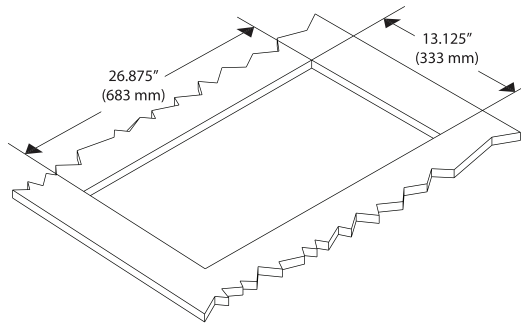
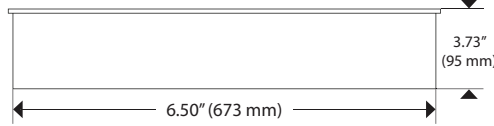
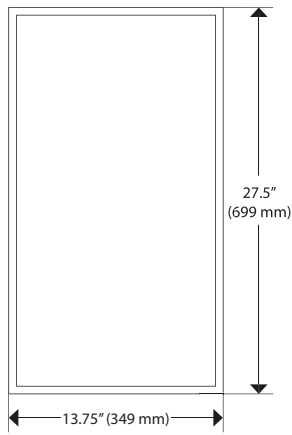
The CookTek® Drop-in Double Burner (Hob) Cooktop Front-to-Back with Standard Controls boasts a drop-in countertop design with a stainless steel and aluminum housing, and a high-temperature glass-ceramic top intended for commercial kitchens and restaurants. An automatic shut-off feature, integral cooling fan, and self-diagnosing microprocessor allow for a safe kitchen environment. Each unit is equipped with 22 temperature settings and 20 precise power settings to ensure maximum and efficient heating of any induction-compatible pan.*

CERTIFICATIONS



*Induction cooking requires the use of induction-compatible (i.e. magnetic) cookware.

It is the owner and installer's responsibility to comply with all local codes. CookTek reserves the right to make substitutions of components or change specifications without prior notice.



DIMENSIONS			
Full Unit Height	3.73"	95 mm	
Full Unit Width	13.75"	349 mm	
Housing Width	12.75"	324 mm	
Full Unit Depth	27.5"	699 mm	
Housing Depth	26.5"	673 mm	
Cutout Width	13.125"	333 mm	
Cutout Depth	26.875"	683 mm	
Weight	30 lb.	13.6 kg	
CLEARANCE			
Front	2"	51 mm	
Sides	2"	51 mm	
Rear	2"	51 mm	
Below	6"	152 mm	
COOLING REQUIREMENTS AND SPECIFICATIONS*			
Max Ambient Temperature	122°F	50°C	
Min. Ventilation Requirements	32 in ²	206 cm ²	
Internal Cooling Fan Displacement	140 CFM (4.0m ³ /min)		
SHIPPING INFORMATION			
Packaged Height	11"	279 mm	
Packaged Width	23"	584 mm	
Packaged Depth	32"	813 mm	
Packaged Weight	40 lb.	18.14 kg	
Item Class	250 NMFC #26710		
ELECTRICAL SPECIFICATIONS (SINGLE PHASE)			
UNITED STATES/CANADA			
MCD2502F	601901	200–240 V, 50/60 Hz, 22 A, 5,000W (100–2,500 W/burner)	NEMA 6-30P
MCD3002F	604701	200–240 V, 50/60 Hz, 26 A, 6,000W (100–3,000 W/burner)	NEMA 6-50P
MCD3502F	604801	200–240 V, 50/60 Hz, 30 A, 7,000W (100–3,500 W/burner)	NEMA 6-50P
UK AND SAUDI ARABIA			
MCD2502F	601902	200–240 V, 50/60 Hz, 22 A, 5,000W (100–2,500 W/burner)	IEC 309, 32A, 3-pin
MCD3002F	604702	200–240 V, 50/60 Hz, 26 A, 6,000W (100–3,000 W/burner)	IEC 309, 32A, 3-pin
MCD3502F	604802	200–240 V, 50/60 Hz, 30 A, 7,000W (100–3,500 W/burner)	IEC 309, 32A, 3-pin

INTERNATIONAL			
MCD2502F	601903	200–240 V, 50/60 Hz, 22 A, 5,000W (100–2,500 W/burner)	IEC 309, 32A, 3-pin
MCD3002F	604703	200–240 V, 50/60 Hz, 26 A, 6,000W (100–3,000 W/burner)	IEC 309, 32A, 3-pin
MCD3502F	604803	200–240 V, 50/60 Hz, 30 A, 7,000W (100–3,500 W/burner)	IEC 309, 32A, 3-pin
AUSTRALIA			
MCD2502F	601904	200–240 V, 50/60 Hz, 22 A, 5,000W (100–2,500 W/burner)	56PA332, 32A, 250V
MCD3002F	604704	200–240 V, 50/60 Hz, 26 A, 6,000W (100–3,000 W/burner)	56PA332, 32A, 250V
MCD3502F	604804	200–240 V, 50/60 Hz, 30 A, 7,000W (100–3,500 W/burner)	56PA332, 32A, 250V
SOUTH AFRICA			
MCD3002F	604707	200–240 V, 50/60 Hz, 26 A, 6,000W (100–3,000 W/burner)	IEC 309, 32A, 3-pin
MCD3502F	604807	200–240 V, 50/60 Hz, 30 A, 7,000W (100–3,500 W/burner)	IEC 309, 32A, 3-pin
ISRAEL			
MCD2502F	601908	200–240 V, 50/60 Hz, 22 A, 5,000W (100–2,500 W/burner)	IEC 309, 32A, 3-pin
MCD3002F	604708	200–240 V, 50/60 Hz, 26 A, 6,000W (100–3,000 W/burner)	IEC 309, 32A, 3-pin
MCD3502F	604808	200–240 V, 50/60 Hz, 30 A, 7,000W (100–3,500 W/burner)	IEC 309, 32A, 3-pin

Dedicated circuit required for each installation.



NEMA 6-30P



IEC 309, 32A, 3-pin



NEMA 6-50P



56PA332, 32A, 250V

* Adequate cabinet ventilation should be provided for all drop-in models to prevent overheating of unit.