



# COUNTERTOP SINGLE BURNER (HOB) COOKTOP with Apogee™ Controls



## PERFORMANCE

The CookTek® Countertop Single Burner (Hob) Cooktop with Apogee™ Controls is a portable countertop design with stainless steel housing and a glass-ceramic cooktop intended for use in commercial kitchens and restaurants. An automatic shut-off feature, integral cooling fan, and self-diagnosing microprocessor allow for a safe kitchen environment. Each unit is equipped with 100 power cook and temperature settings to ensure maximum and efficient heating of any induction-compatible pan.\*

Project \_\_\_\_\_

Item No. \_\_\_\_\_

Quantity \_\_\_\_\_

## FEATURES

- Models available in 1,800 (U.S. only); 2,500; 3,000; 3,500 watts
- Portable design with stainless steel housing
- High-quality internal electronics and heavy gauge Litz wire
- Easy-to-clean high-temperature glass-ceramic top
- Automatic pan detection allows for instant energy transmission to pan
- Built-in cook timer
- Lock feature prevents unwanted settings changes
- 100 power cook and temperature settings
- Touch controls with LCD display panel
- Automatic shut-off feature prohibits overheating
- Integral grease filter and air baffle ensure air intake is cleaner and cooler
- Microprocessor monitors vital components to check for overheating, power supply issues, and more
- Integral fan keeps internal components cool
- Available in 100–120 VAC or 200–240 VAC, single phase
- Includes plug and cord (6 ft. nominal)
- Two-year advanced replacement warranty – U.S. and Canada

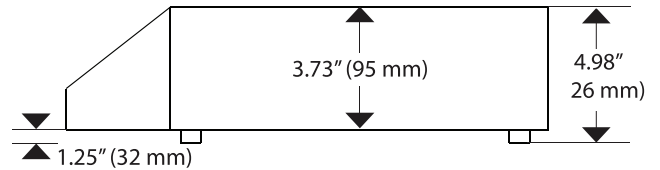
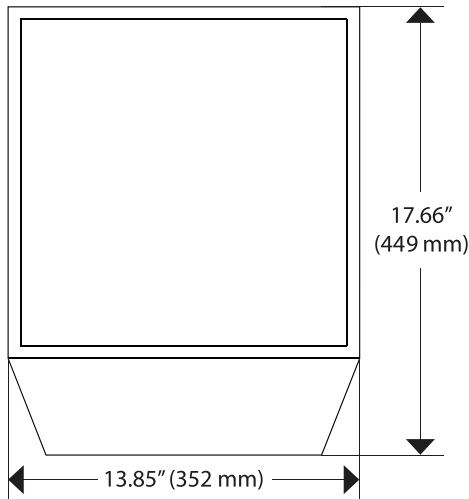
COUNTERTOP SINGLE BURNER (HOB) COOKTOP

## CERTIFICATIONS



\*Induction cooking requires the use of induction-compatible (i.e. magnetic) cookware.

It is the owner and installer's responsibility to comply with all local codes. CookTek reserves the right to make substitutions of components or change specifications without prior notice.



DIMENSIONS		
Full Unit Height	4.98"	126 mm
Housing Height	3.75"	95 mm
Full Unit Width	13.85"	352 mm
Full Unit Depth	17.66"	449 mm
Feet Height	1.25"	32 mm
Weight	17.75 lb.	8.0 kg
Max Ambient Temperature	122°F	50°C
WALL CLEARANCE		
Front	2"	51 mm
Sides	2"	51 mm
Rear	2"	51 mm
SHIPPING INFORMATION		
Packaged Height	9"	229 mm
Packaged Width	18.75"	476 mm
Packaged Depth	20.75"	527 mm
Packaged Weight	23 lb.	10.4 kg
Item Class	250 NMFC #26710	

ELECTRICAL SPECIFICATIONS (SINGLE PHASE)			
UNITED STATES/CANADA			
MC1800G	620101	100-120 V, 50/60 Hz, 15 A, 100-1,800 W	NEMA 5-15P
MC2500G	620201	200-240 V, 50/60 Hz, 12 A, 100-2,500 W	NEMA 6-20P
MC3000G	620301	200-240 V, 50/60 Hz, 14 A, 100-3,000 W	NEMA 6-20P
MC3500G	620401	200-240 V, 50/60 Hz, 15 A, 100-3,500 W	NEMA 6-20P
UK AND SAUDI ARABIA			
MC2500G	620202	200-240 V, 50/60 Hz, 12 A, 100-2,500 W	BS1363, 13A, 230V
MC3000G	620302	200-240 V, 50/60 Hz, 14 A, 100-3,000 W	BS1363, 13A, 230V
MC3500G	620402	200-240 V, 50/60 Hz, 15 A, 100-3,500 W	IEC 309, 16A, 3-pin
INTERNATIONAL			
MC2500G	620203	200-240 V, 50/60 Hz, 12 A, 100-2,500 W	CEE 7/7 Schuko, 16A, 250V
MC3000G	620303	200-240 V, 50/60 Hz, 14 A, 100-3,000 W	CEE 7/7 Schuko, 16A, 250V
MC3500G	620403	200-240 V, 50/60 Hz, 15 A, 100-3,500 W	CEE 7/7 Schuko, 16A, 250V
AUSTRALIA			
MC2500G	620204	200-240 V, 50/60 Hz, 12 A, 100-2,500 W	AS/NZS 3112:2000, 10A, 250V
MC3000G	620304	200-240 V, 50/60 Hz, 14 A, 100-3,000 W	AS/NZS 3112:2000, 15A, 250V
MC3500G	620404	200-240 V, 50/60 Hz, 15 A, 100-3,500 W	AS/NZS 3112:2000, 15A, 250V
SOUTH AFRICA			
MC2500G	620207	200-240 V, 50/60 Hz, 12 A, 100-2,500 W	BS 546, 16A, 250V
MC3000G	620307	200-240 V, 50/60 Hz, 14 A, 100-3,000 W	BS 546, 16A, 250V
MC3500G	620407	200-240 V, 50/60 Hz, 15 A, 100-3,500 W	BS 546, 16A, 250V
ISRAEL			
MC2500G	620208	200-240 V, 50/60 Hz, 12 A, 100-2,500 W	SI 32, 16A, 250V
MC3000G	620308	200-240 V, 50/60 Hz, 14 A, 100-3,000 W	SI 32, 16A, 250V
MC3500G	620408	200-240 V, 50/60 Hz, 15 A, 100-3,500 W	SI 32, 16A, 250V



NEMA 5-15P



AS/NZS 3112:2000, 10A, 250V



NEMA 6-20P



AS/NZS 3112:2000, 15A, 250V



BS1363, 13A, 230V



BS 546, 16A, 250V



IEC 309, 16A, 3-pin



CEE 7/7 Schuko, 16A, 250V



SI 32, 16A, 250V



Dedicated circuit required for each installation.

**Global Operations**

2801 Trade Center Drive / Carrollton, Texas 75007 USA  
 US: 800.90TURBO (800.908.8726) / International: +1 214.379.6000  
 Fax: +1 214.379.6073 / www.cooktek.com