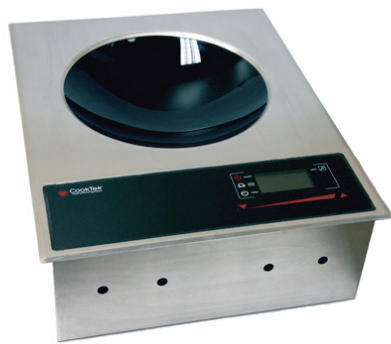




## DROP-IN WOK with Apogee™ Controls



Project \_\_\_\_\_

Item No. \_\_\_\_\_

Quantity \_\_\_\_\_

### FEATURES

- Models available in 1,800 (U.S. only); 2,500; 3,000; 3,500 watts
- Drop-in design with stainless steel top and aluminum housing
- High-quality internal electronics and heavy gauge Litz wire
- Easy-to-clean high-temperature glass-ceramic wok bowl
- Automatic pan detection allows for instant energy transmission to pan
- LED display for precise user feedback
- Programmed with 100 power cook settings
- Automatic shut-off feature prohibits overheating
- Microprocessor monitors vital components to check for overheating, power supply issues, and more
- Integral fan keeps internal components cool
- Available in 100-120 VAC or 200-240 VAC, single phase
- Includes plug and cord (6 ft. nominal)
- Two-year advanced replacement warranty – U.S. and Canada

### PERFORMANCE

The CookTek® Drop-in Wok with Apogee™ Controls is a drop-in countertop design with stainless steel edging, aluminum housing, and a glass-ceramic recessed wok bowl intended for use in commercial kitchens and restaurants. An automatic shut-off feature, integral cooling fan, and self-diagnosing microprocessor allow for a safe kitchen environment. Each unit is equipped with 100 power cook settings to ensure maximum and efficient heating of any induction compatible pan.\*

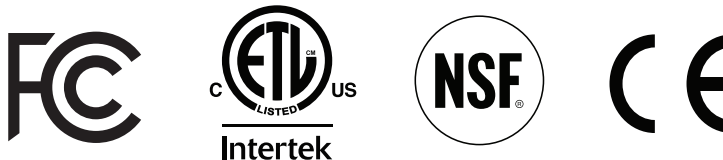
### ACCESSORIES (NOT INCLUDED)

- 14" (356 mm) Stainless Steel Wok (Part # CT-103871)
- Wok Replacement Handle (Part # CT-102881)



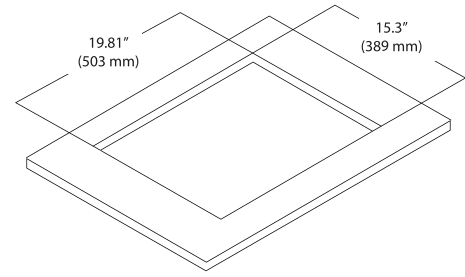
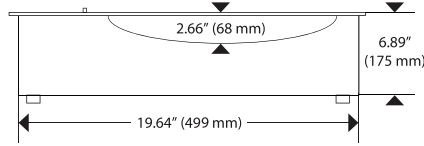
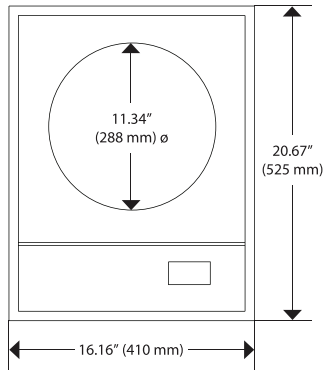
CT-103871

### CERTIFICATIONS



\*Induction cooking requires the use of induction-compatible (i.e. magnetic) cookware.

It is the owner and installer's responsibility to comply with all local codes. CookTek reserves the right to make substitutions of components or change specifications without prior notice.



DIMENSIONS		
Full Unit Height	6.89"	175 mm
Full Unit Width	16.16"	410 mm
Housing Width	15.13"	384 mm
Full Unit Depth	20.67"	525 mm
Housing Depth	19.64"	499 mm
Cutout Width	15.3"	389 mm
Cutout Depth	19.81"	503 mm
Weight	29 lb.	13.1 kg
CLEARANCE		
Front	2"	51 mm
Sides	2"	51 mm
Rear	2"	51 mm
Below	6"	152 mm
COOLING REQUIREMENTS AND SPECIFICATIONS*		
Max Ambient Temperature	122°F	50°C
Min. Ventilation Requirements	16 in <sup>2</sup>	103 cm <sup>2</sup>
INTERNAL COOLING FAN DISPLACEMENT		
100-120 V Models	50 CFM (1.5m <sup>3</sup> /min)	
200-240 V Models	70 CFM (2.0m <sup>3</sup> /min)	
SHIPPING INFORMATION		
Packaged Height	15"	381 mm
Packaged Width	24"	610 mm
Packaged Depth	24"	610 mm
Packaged Weight	33 lb.	15 kg

ELECTRICAL SPECIFICATIONS (SINGLE PHASE)			
UNITED STATES/CANADA			
MWD1800G	622101	100-120 V, 50/60 Hz, 15 A, 100-1,800 W	NEMA 5-15P
MWD2500G	622201	200-240 V, 50/60 Hz, 12 A, 100-2,500 W	NEMA 5-15P
MWD3000G	622301	200-240 V, 50/60 Hz, 14 A, 100-3,000 W	NEMA 6-20P
MWD3500G	622401	200-240 V, 50/60 Hz, 15 A, 100-3,500 W	NEMA 6-20P
UK AND SAUDI ARABIA			
MWD2500G	622202	200-240 V, 50/60 Hz, 12 A, 100-2,500 W	BS1363
MWD3000G	622302	200-240 V, 50/60 Hz, 14 A, 100-3,000 W	BS1363
MWD3500G	622402	200-240 V, 50/60 Hz, 15 A, 100-3,500 W	IEC 309, 16A, 3-pin
INTERNATIONAL			
MWD2500G	622203	200-240 V, 50/60 Hz, 12 A, 100-2,500 W	CEE 7/7 Schuko
MWD3000G	622303	200-240 V, 50/60 Hz, 14 A, 100-3,000 W	CEE 7/7 Schuko
MWD3500G	622403	200-240 V, 50/60 Hz, 15 A, 100-3,500 W	CEE 7/7 Schuko
AUSTRALIA			
MWD2500G	622204	200-240 V, 50/60 Hz, 12 A, 100-2,500 W	AS/NZS 3112:2000, 10A, 250V
MWD3000G	622304	200-240 V, 50/60 Hz, 14 A, 100-3,000 W	AS/NZS 3112:2000, 15A, 250V
MWD3500G	622404	200-240 V, 50/60 Hz, 15 A, 100-3,500 W	AS/NZS 3112:2000, 15A, 250V
SOUTH AFRICA			
MWD2500G	622207	200-240 V, 50/60 Hz, 12 A, 100-2,500 W	BS 546, 16A, 250V
MWD3000G	622307	200-240 V, 50/60 Hz, 14 A, 100-3,000 W	BS 546, 16A, 250V
MWD3500G	622407	200-240 V, 50/60 Hz, 15 A, 100-3,500 W	BS 546, 16A, 250V
ISRAEL			
MWD2500G	622208	200-240 V, 50/60 Hz, 12 A, 100-2,500 W	SI 32, 16A, 250V
MWD3000G	622308	200-240 V, 50/60 Hz, 14 A, 100-3,000 W	SI 32, 16A, 250V
MWD3500G	622408	200-240 V, 50/60 Hz, 15 A, 100-3,500 W	SI 32, 16A, 250V



NEMA 5-15P



AS/NZS 3112:2000, 10A, 250V



NEMA 6-20P



AS/NZS 3112:2000, 15A, 250V



BS1363



BS 546, 16A, 250V



IEC 309, 16A, 3-pin



CEE 7/7 Schuko



SI 32, 16A, 250V

\* Adequate cabinet ventilation should be provided for all drop-in models to prevent overheating of unit.



Dedicated circuit required for each installation.

**Global Operations**

2801 Trade Center Drive / Carrollton, Texas 75007 USA  
 US: 800.90TURBO (800.908.8726) / International: +1 214.379.6000  
 Fax: +1 214.379.6073 / www.cooktek.com