



Project _____

Item No. _____

Quantity _____

FAHEATER INDUCTION SKILLET WARMER



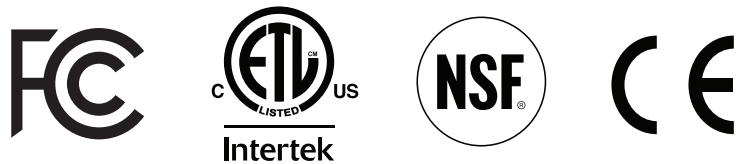
FEATURES

- Models available in 1,800 (U.S. only) and 3,500 watts
- Programmable – three preset timers (25, 45, and 70 seconds) with the option to adjust timers to allow for different sized skillets and/or skillet-served products (max 120 seconds)
- Max temperature 500°F (260°C)
- Portable design with stainless steel housing
- No flames or hot surfaces provide for a safer, cooler kitchen
- High-quality internal electronics and heavy gauge Litz wire
- Easy-to-clean high-temperature glass-ceramic top
- Automatic pan detection allows for instant energy transmission to pan
- Integral grease filter and air baffle ensure air intake is cleaner and cooler
- Microprocessor monitors vital components to check for overheating, power supply issues, and more
- Integral fan keeps internal components cool
- Available in 100–120 VAC or 200–240 VAC, single phase
- Includes plug and cord (6 ft. nominal)
- Two-year advanced replacement warranty – U.S. and Canada

PERFORMANCE

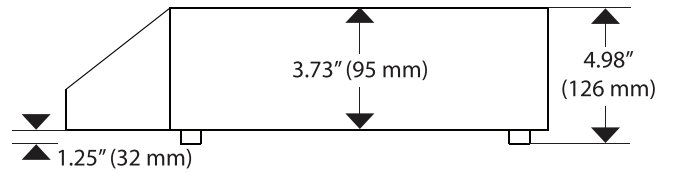
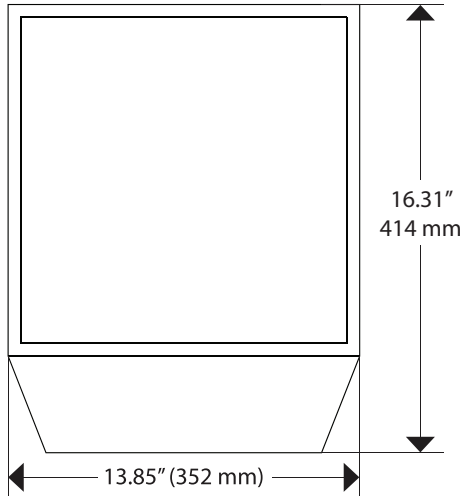
The CookTek® FaHeater Induction Skillet Warmer heats cast iron skillets to sizzling hot in just seconds. It eliminates dependence on dangerous, inconsistent, and energy-inefficient methods.

CERTIFICATIONS



*Induction cooking requires the use of induction-compatible (i.e. magnetic) cookware.

It is the owner and installer’s responsibility to comply with all local codes. CookTek reserves the right to make substitutions of components or change specifications without prior notice.



DIMENSIONS		
Full Unit Height	4.98"	126 mm
Housing Height	3.75"	95 mm
Full Unit Width	13.85"	352 mm
Full Unit Depth	16.31"	414 mm
Feet Height	1.25"	32 mm
Weight	17.75 lb.	8.0 kg
Max Ambient Temperature	122°F	50°C
WALL CLEARANCE		
Front	2"	51 mm
Sides	2"	51 mm
Rear	2"	51 mm
SHIPPING INFORMATION		
Packaged Height	10"	254 mm
Packaged Width	19"	483 mm
Packaged Depth	21"	533 mm
Packaged Weight	21 lb.	9.5 kg
Item Class	250 NMFC #26710	

ELECTRICAL SPECIFICATIONS (SINGLE PHASE)			
MODEL MCF100			
UNITED STATES/ CANADA	605201	100–120 V, 50/60 Hz, 15 A, 100–1,800 W	NEMA 5-15P
MODEL MCF200			
UNITED STATES/ CANADA	605101	200–240 V, 50/60 Hz, 650 W	NEMA 6-20P
UK/SAUDI ARABIA	605102	200–240 V, 50/60 Hz, 650 W	BS1363, 13A, 230V
INTERNATIONAL	605103	200–240 V, 50/60 Hz, 650 W	CEE 7/7 Schuko, 16A, 250V
AUSTRALIA	605104	200–240 V, 50/60 Hz, 650 W	AS/NZS 3112:2000, 10A, 250V
SOUTH AFRICA	605107	200–240 V, 50/60 Hz, 650 W	BS 546, 16A, 250V
ISRAEL	605108	200–240 V, 50/60 Hz, 650 W	SI 32, 16A, 250V

Dedicated circuit required for each installation.



NEMA 5-15P



AS/NZS 3112:2000,
10A, 250V



NEMA 6-20P



BS 546, 16A, 250V



BS1363, 13A, 230V



SI 32, 16A, 250V



CEE 7/7 Schuko, 16A,
250V

Global Operations
2801 Trade Center Drive / Carrollton, Texas 75007 USA
US: 800.90TURBO (800.908.8726) / International: +1 214.379.6000
Fax: +1 214.379.6073 / www.cooktek.com