

COUNTERTOP DOUBLE HOB COOKTOP

Front-to-Back with Helios Controls



HELIOS

Helios, CookTek's new enhanced user interface, provides improved reliability and more precise cooking controls. The capacitive touch control includes power percentage or temperature display options.

FEATURES

- Models available in 5,000 (2,500/hob) and 7,000 (3,500/hob) watts
- Available in 200–240 VAC, single phase
- Portable design with stainless steel housing
- High-quality internal electronics and heavy gauge Litz wire
- Easy-to-clean high temperature glass-ceramic top
- Automatic pan detection allows for instant energy transmission to pan
- 4.3" capacitive touch display
- Even heat distribution across bottom of cookware*
- Temperature range from 85°F–425°F (29°C–218°C)
- Individual controls for each burner (hob) for independent operation and functionality
- Automatic shut-off feature prohibits overheating
- Integral grease filter and air baffle ensure air intake is cleaner and cooler
- Sloped front panel allows for easy viewing and operation
- Microprocessor monitors vital components to check for overheating, power supply issues, and more

INCLUDED

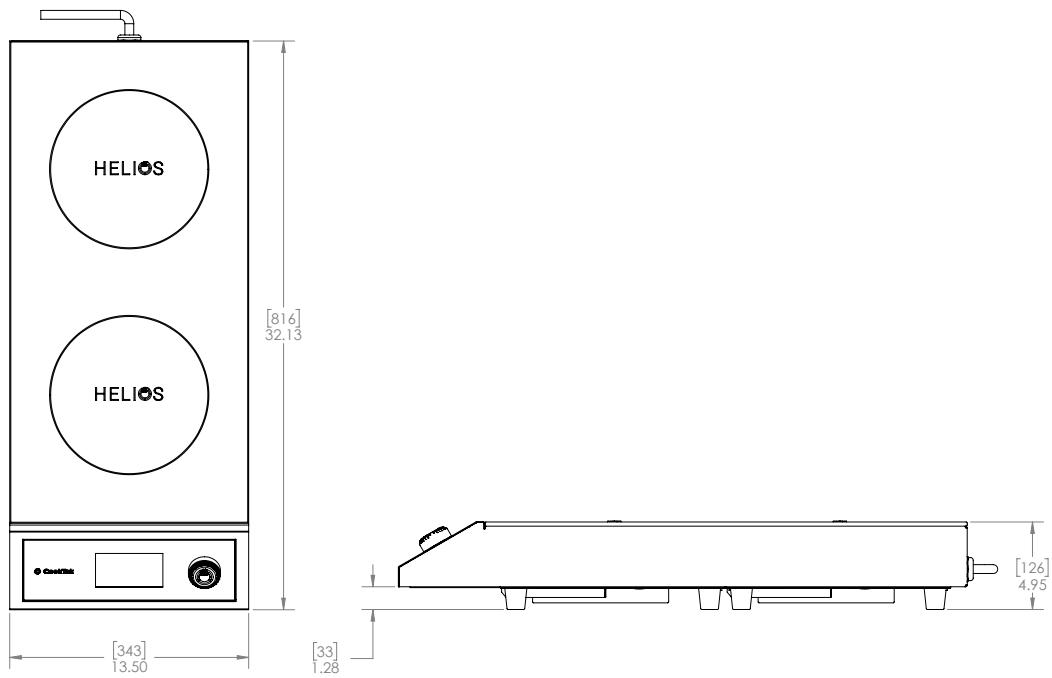
- Two-year advanced replacement warranty – U.S. and Canada
- Integral fan to keep internal components cool
- Standard Cat 5e or Cat 6 patch cable from unit to control box
- Plug and cord (6 ft. nominal)

CERTIFICATIONS



*Induction cooking requires the use of induction-compatible (i.e. magnetic) cookware.

It is the owner and installer's responsibility to comply with all local codes. CookTek reserves the right to make substitutions of components or change specifications without prior notice.



DIMENSIONS		
Height	4.95"	126 mm
Width	13.5"	343 mm
Depth	32.13"	816 mm
Feet Height	1.28"	33 mm
Weight	31 lb.	14.0 kg
Max Ambient Temperature	122°F	50°C
WALL CLEARANCE		
Front	2"	51 mm
Sides	2"	51 mm
Rear	2"	51 mm
SHIPPING INFORMATION		
Packaged Height	11"	279 mm
Packaged Width	23"	584 mm
Packaged Depth	32"	813 mm
Packaged Weight	45 lb.	20.4 kg
Item Class	250 NMFC #26710	

ELECTRICAL SPECIFICATIONS (SINGLE PHASE)			
UNITED STATES/CANADA			
HTF-9500-FB25-1	Freestanding, 2 hob, front-to-back 2 x 2500W, 240V	NEMA 6-30P	
HTF-9500-FB35-1	Freestanding, 2 hob, front-to-back 2 x 3500W, 240V	NEMA 6-50P	
UK AND SAUDI ARABIA			
HTF-9500-FB25-2	Freestanding, 2 hob, front-to-back 2 x 2500W, 240V	IEC 309 32A, 3-pin	
HTF-9500-FB35-2	Freestanding, 2 hob, front-to-back 2 x 3500W, 240V		
INTERNATIONAL			
HTF-9500-FB25-3	Freestanding, 2 hob, front-to-back 2 x 2500W, 240V	IEC 309 32A, 3-pin	
HTF-9500-FB35-3	Freestanding, 2 hob, front-to-back 2 x 3500W, 240V		
AUSTRALIA			
HTF-9500-FB25-4	Freestanding, 2 hob, front-to-back 2 x 2500W, 240V	56PA332 32A, 250V	
HTF-9500-FB35-4	Freestanding, 2 hob, front-to-back 2 x 3500W, 240V		
JAPAN			
HTF-9500-FB25-6	Freestanding, 2 hob, front-to-back 2 x 2500W, 200V		
HTF-9500-FB35-6	Freestanding, 2 hob, front-to-back 2 x 3500W, 200V		
SOUTH AFRICA			
HTF-9500-FB25-7	Freestanding, 2 hob, front-to-back 2 x 2500W, 240V	N/A	
HTF-9500-FB35-7	Freestanding, 2 hob, front-to-back 2 x 3500W, 240V	IEC 309 32A, 3-pin	
ISRAEL			
HTF-9500-FB25-8	Freestanding, 2 hob, front-to-back 2 x 2500W, 240V	IEC 309 32A, 3-pin	
HTF-9500-FB35-8	Freestanding, 2 hob, front-to-back 2 x 3500W, 240V		

Dedicated circuit required for each installation.