

SIX HOB

INDUCTION RANGE



PERFORMANCE

The CookTek® Six Hob features six independent induction cook zones for precise, efficient heating of any induction-compatible pan*. Its built-in redundancy ensures uninterrupted performance, allowing each zone to operate independently. Designed for back-of-house applications, it includes a high-impact glass-ceramic cooktop, an automatic shutoff feature, integral cooling fans, and a self-diagnosing microprocessor to ensure a safer, more reliable kitchen environment.**

FEATURES

- Six independently controlled induction cook zones
- 15,000 W (6 x 2500 W) and 21,000 W (6 x 3500 W) models
- High-quality internal electronics and heavy-gauge Litz wire
- Seamlessly drops into a stainless-steel cart base with built-in storage
- LED bar graph displays
- Rotary knobs with 0–10 power settings
- Built-in redundancy to ensure uninterrupted performance even if one hob requires maintenance
- Over 90% energy efficient—outperforms gas and electric burners
- Easy-to-clean high-temperature glass-ceramic cooktop with six separate induction cook zones
- Automatic pan detection provides instant energy transfer to cookware
- Automatic shut-off feature prohibits overheating
- Integral grease filter and air baffles ensure air intake is cleaner and cooler
- Microprocessors continuously monitor vital components for overheating, power-supply issues, and other conditions
- Integral fans to keep internal components cool
- Hardwired design for a seamless, reliable power connection – no cords or plugs required

STANDARD INCLUDED ACCESSORIES

- One-year warranty on parts and labor

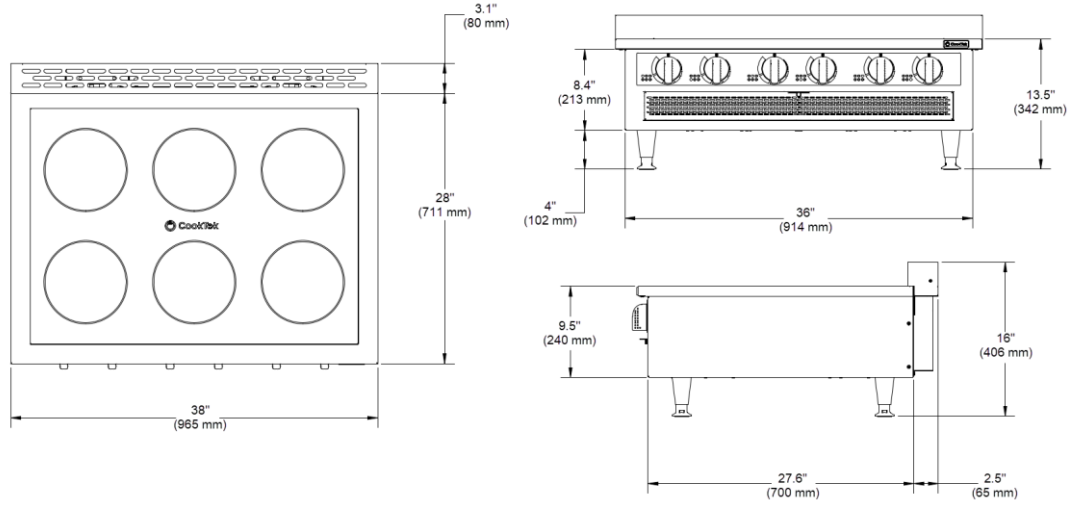


*Induction cooking requires the use of induction-compatible (i.e., magnetic) cookware.

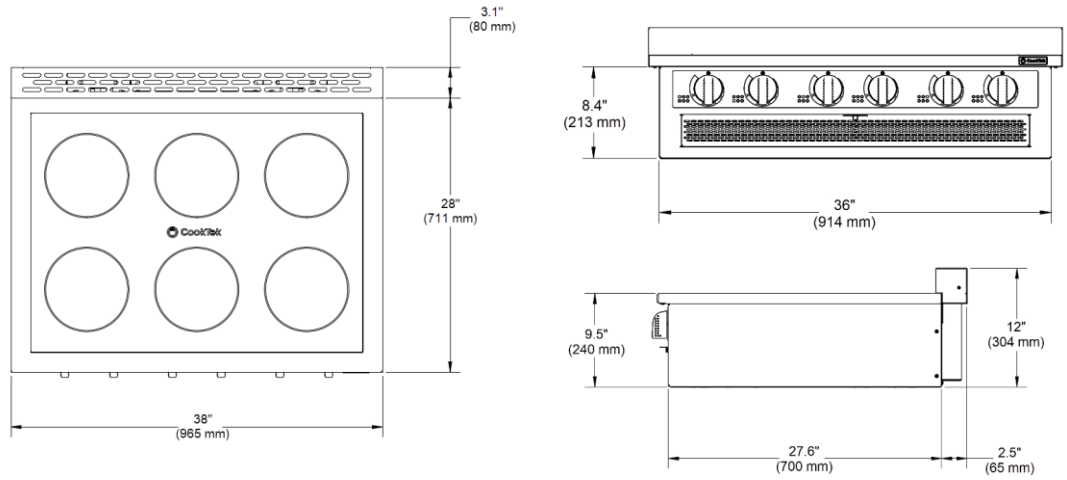
**The Six HOB is not approved for marine use.

It is the owner and installer's responsibility to comply with all local codes. CookTek reserves the right to substitute components or change specifications without prior notice.

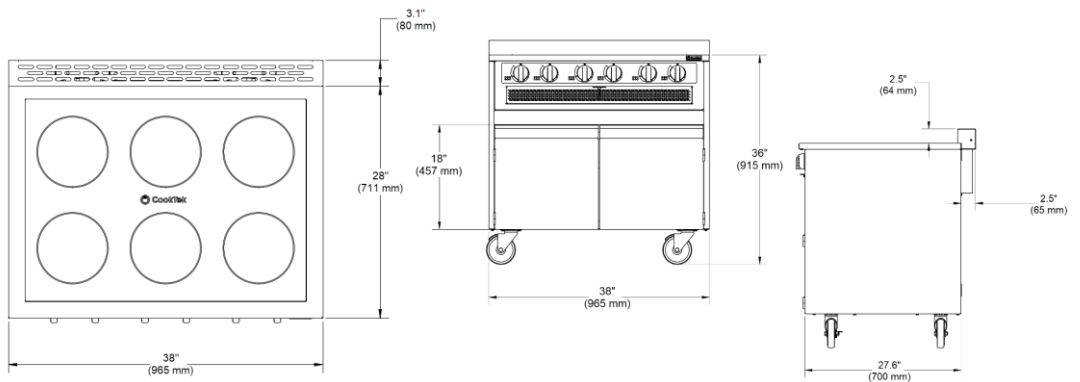
FREESTANDING



DROP-IN



CART-MOUNTED



DIMENSIONS FREESTANDING

Full Unit Height	16"	406 mm
Full Unit Width	38"	965 mm
Full Unit Depth	30.1"	765 mm
Cooking Surface Width	33.5"	851 mm
Cooking Surface Depth	24.5"	622 mm
Weight	150 lb	68 kg

DIMENSIONS DROP-IN

Full Unit Height	12"	304 mm
Full Unit Width	38"	965 mm
Full Unit Depth	30.1"	765 mm
Cooking Surface Width	33.5"	851 mm
Cooking Surface Depth	24.5"	622 mm
Weight	150 lb	68 kg

SHIPPING INFORMATION

Packaged Height	26"	660 mm
Packaged Width	37"	940 mm
Packaged Depth	46"	1168
Packaged Weight	207 lb	94 kg
Item Class	175	

WALL CLEARANCE

Front	2"	50 mm
Sides	2"	50 mm
Rear	2"	50 mm

COOLING REQUIREMENTS

Max Ambient Temperature	122 °F	50 °C
Internal Cooling Fan Airflow	460 cfm	13.0 m ³ /min

DIMENSIONS CART-MOUNTED

Full Unit Height	36"	915 mm
Full Unit Width	38"	965 mm
Full Unit Depth	30.1"	765 mm
Full Unit Weight	253 lb	115 kg
Cart Height without wheels	18"	457 mm
Cart Depth	27.6"	701 mm
Cart Weight	103 lb	46.2
Cooking Surface Width	33.5"	851 mm
Cooking Surface Depth	24.5"	622 mm

SHIPPING INFORMATION

Packaged Height	46"	1168 mm
Packaged Width	37"	940 mm
Packaged Depth	46"	1168 mm
Packaged Weight	314 lb	142 kg
Item Class	175	

ELECTRICAL SPECIFICATIONS - SINGLE PHASE FREESTANDING/DROP-IN

UNITED STATES	
VIC-9600-FS25-1	208/240 VAC, 15,000 W, 3 Phase, 45/50 A, Hardwired
VIC-9600-FS35-1	208/240 VAC, 21,000 W, 3 Phase, 56/63 A, Hardwired

ELECTRICAL SPECIFICATIONS - SINGLE PHASE CART-MOUNTED

UNITED STATES	
VIC-9600-CM25-1	208/240 VAC, 15,000 W, 3 Phase, 45/50 A, Hardwired
VIC-9600-CM35-1	208/240 VAC, 21,000 W, 3 Phase, 56/63 A, Hardwired